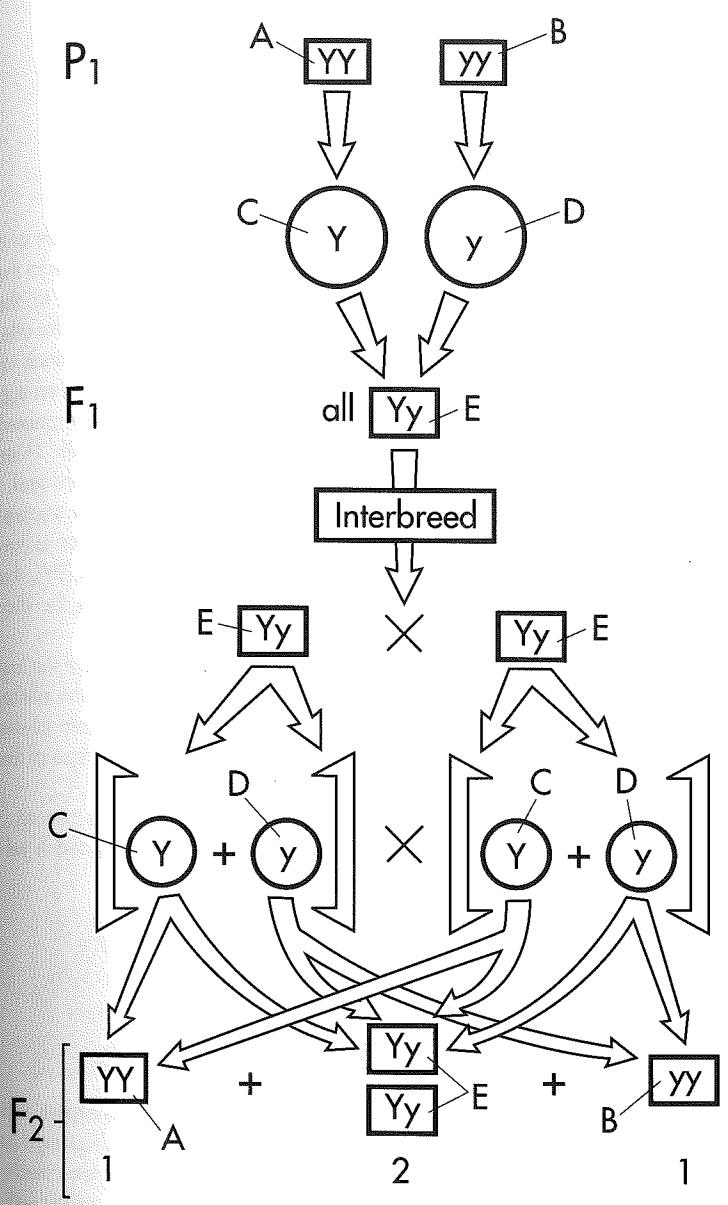
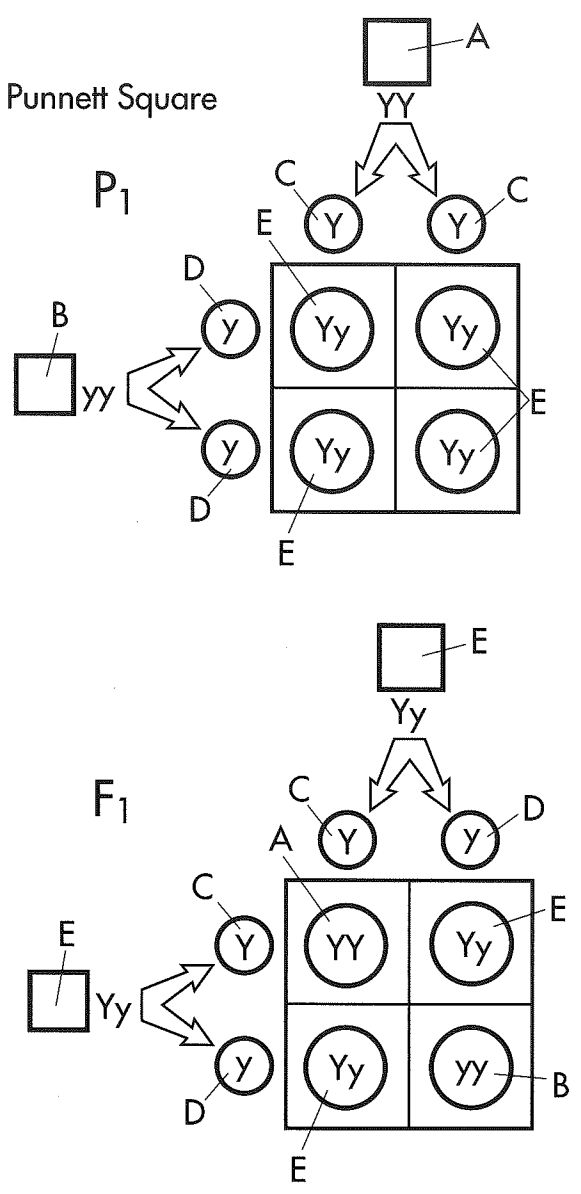


Actual Crosses



Punnett Square



The Monohybrid Cross

- Homozygous Dominant....A
- Homozygous Recessive ..B
- Gamete with Dominant AlleleC
- Gamete with Recessive AlleleD
- Heterozygous (Hybrid) IndividualE